

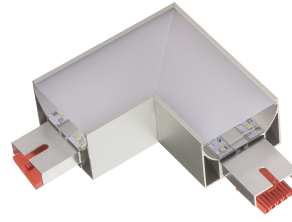
## ORDERING CODE

Product ID	Length	Voltage	CCT	Mounting	Finish	Option
<b>CORE</b> - Core LED	<b>3</b> - 3FT <b>4</b> - 4FT <b>5</b> - 5FT <b>C</b> - Continuous Run	<b>120</b> - 120V <b>277</b> - 277V	<b>30</b> - 3000k <b>40</b> - 4000k <b>60</b> - 6000k	<b>AC</b> - Drywall + Aircraft cable (36" std) <b>ACT</b> - T-Bar + Aircraft cable (36" std) <b>SUR</b> - Surface Mounted	<b>W</b> - White <b>B</b> - Black <b>S</b> - Anodized <b>C</b> - Custom	<b>D10</b> - 0-10V Dimmable <b>DA</b> - Dali Dimmable

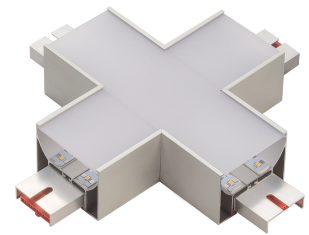
## CONNECTIONS

Please specify number of connections

Connections
<b>ST</b> - Straight <b>90</b> - 90 Degree <b>CR</b> - Cross



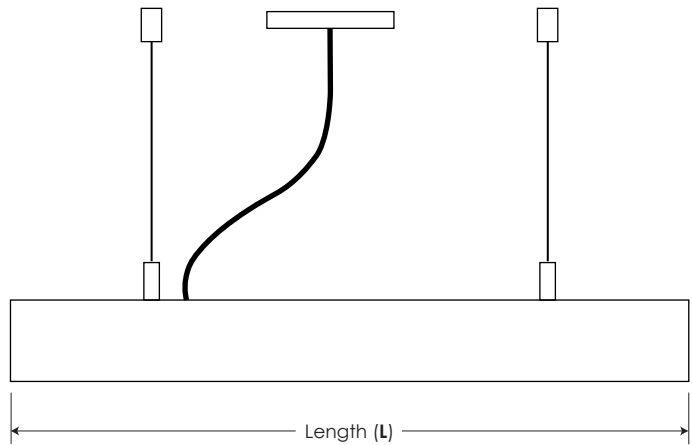
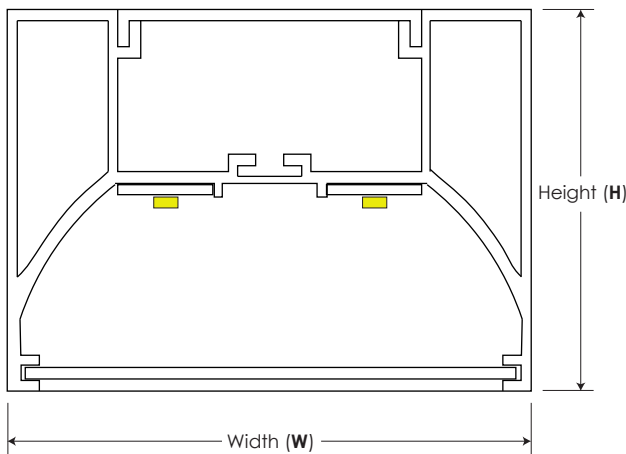
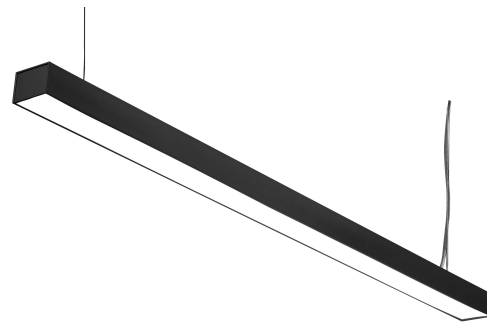
90 Degree



Cross

## LIGHTING SPECIFICATIONS

Dimensions	Wattage	Lumen Output
3' x 2.50" W x 1.85"H	30 Watt	3250 Nominal Lumen Output
4' x 2.50" W x 1.85"H	40 Watt	4333 Nominal Lumen Output
5' x 2.50" W x 1.85"H	48 Watt	5200 Nominal Lumen Output



\* Not to Scale.

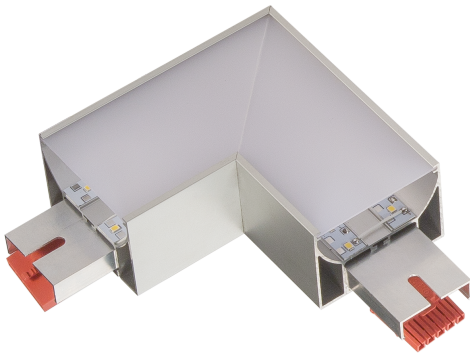
APPROVED BY: \_\_\_\_\_ SIGNATURE: \_\_\_\_\_ DATE: \_\_\_\_\_

File: CORELED-SPEC-REV2 Date: 12 December 2019 Page: 1/3

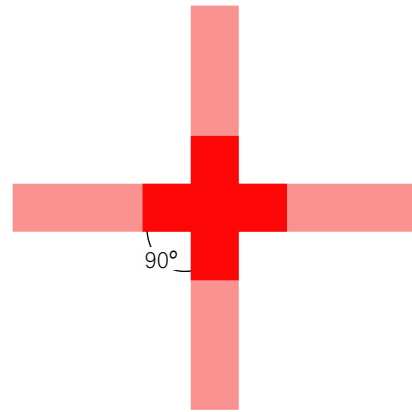
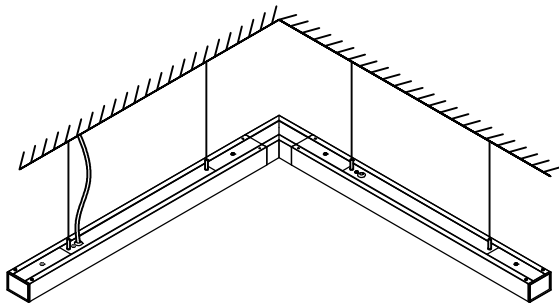
### CONNECTIONS



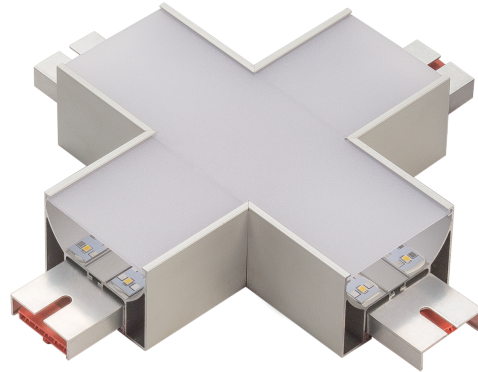
**90 Degree**



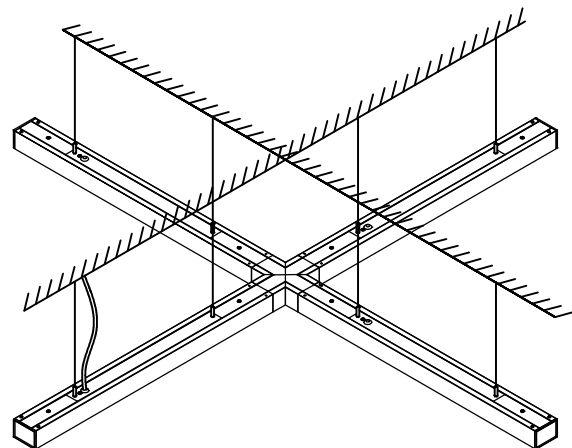
Easy assembly corner connection.  
Fully illuminated corner.



**Cross**



Easy assembly cross connection.  
Fully illuminated corner.



### FOR YOUR SKETCH

