

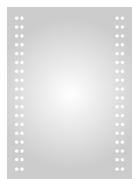
FEATURES

- Frosted area with fingerprint-free technology
- Special anti-corrosion Mirror treatment
- Suitable for Damp Location
- 5mm Environmental Copper free silver Mirror
- Easy installation
- Custom Mirror dimensions available

INSTALLATION



Horizontal



Vertical

AVAILABLE OPTIONS

- Defogger
- Dimming 0-10V
- Touch Sensor
- Motion Sensor
- USB Charger
- Bluetooth (Audio)
- Magnifying Mirror X3 & X5
- LED Digital Clock
- Night Light
- Power Outlet
- Power Plug

* See "Options" page for more information.

LIGHTING SPECIFICATIONS

- Easy replaceable LEDs
- CCT: 3000 | 4000 | 6000
- 427 Lumens per foot*
* Higher Lumen per foot available
- CRI: 80 +
- LED Life: Average 90,000 hrs.



Frosted area with
Fingerprint-free technology



Intertek



Special anti-corrosion
Mirror treatment



5mm Environmental
Copper free silver Mirror

ORDERING CODE

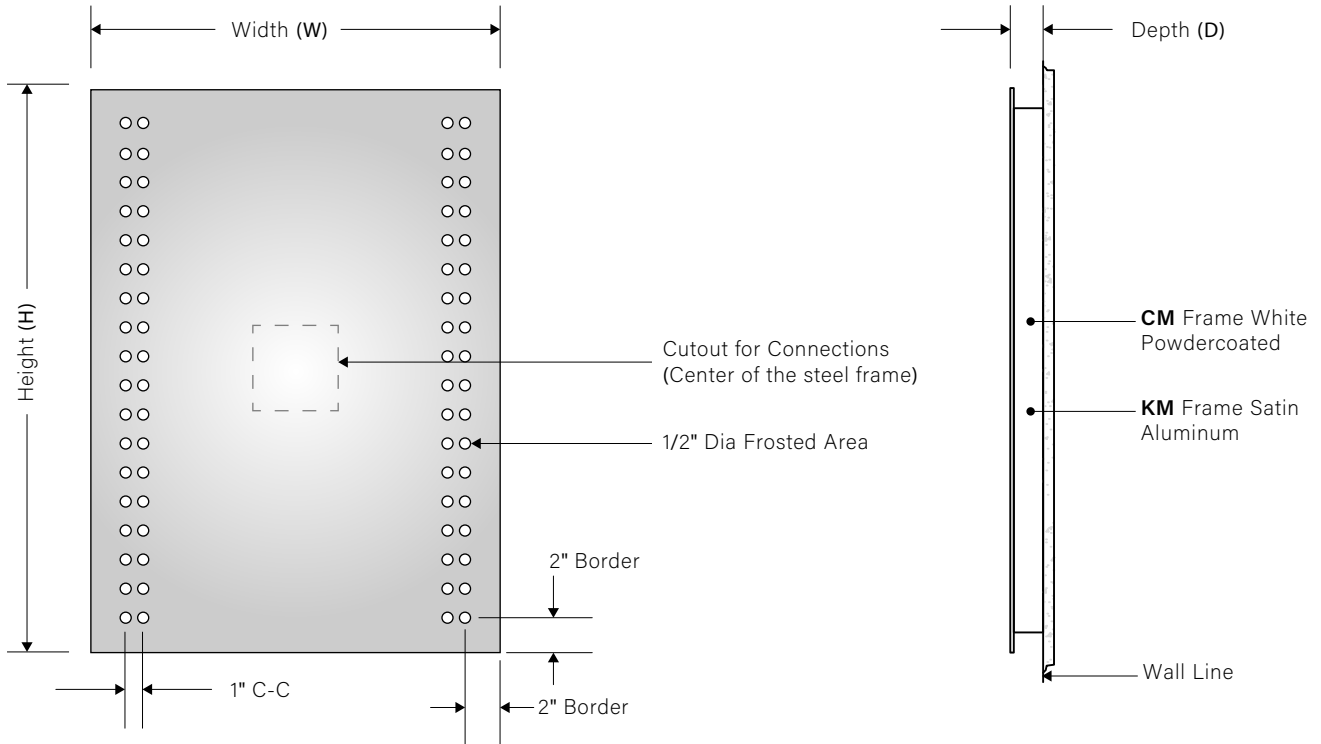
LM-1110-LED - _____ - _____ - FR - _____ - _____ - _____

Product ID	Dimensions	Voltage	CCT	Diffuser	Installation	Mounting	Options
LM-1110-LED	22 - 22"W x 32"H	120 - 120V	30 - 3000k	FR - Frosted	HR - Horizontal VT - Vertical	CM - Cleats Mounting* KM - Keyhole Mounting**	DF - Defogger DM - Dimming 0-10V TS - Touch Sensor MS - Motion Sensor BT - Bluetooth (Audio)* M3 - Magnifying Mirror x3 M5 - Magnifying Mirror x5 LD - LED Digital Clock USB - USB Charger TNL - Top Night Light BNL - Bottom Night Light PO - Power Outlet* PP - Power Plug <small>* Mirror depth to be 3"D</small>
	24 - 24"W x 36"H	277 - 277V	40 - 4000k				
	36 - 36"W x 48"H		60 - 6000k				
	48 - 48"W x 60"H						
	C - Custom						

LIGHTING SPECIFICATIONS

Dimensions	Wattage	Lumen Output	CRI
22"W x 32"H x 2"D	20 Watt	1996 Total Lumen Output	80+ CRI
24"W x 36"H x 2"D	23 Watt	2280 Total Lumen Output	80+ CRI
36"W x 48"H x 2"D	31 Watt	3134 Total Lumen Output	80+ CRI
48"W x 60"H x 2"D	40 Watt	3987 Total Lumen Output	80+ CRI

Standard Product: Hardwired



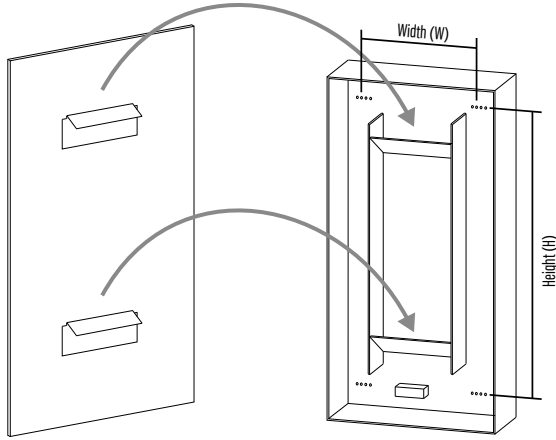
* Not to Scale. Frosted area and border width may change depending on Mirror dimensions.

APPROVED BY: _____ SIGNATURE: _____ DATE: _____

File: LM - 1110 - SPEC - REV2 Date: 06 March 2019 Page: 2/4

MOUNTING

CM - Cleat Mounting



Back View Mirror

Front View Frame

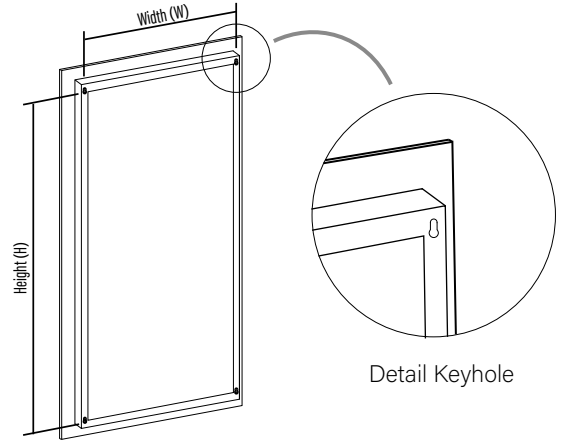
Mirror Dimensions

Mounting Dimensions

22"W x 32"H x 2"D
24"W x 36"H x 2"D
36"W x 48"H x 2"D
48"W x 60"H x 2"D

W = 15.70"	H = 25.70"
W = 17.70"	H = 29.70"
W = 29.70"	H = 41.70"
W = 41.70"	H = 53.70"

KM - Keyhole Mounting



Back View Mirror

Mirror Dimensions

Mounting Dimensions

22"W x 32"H x 2"D
24"W x 36"H x 2"D
36"W x 48"H x 2"D
48"W x 60"H x 2"D

Template will be provided
Template will be provided
Template will be provided
Template will be provided

DIFFUSER



FROSTED



ICE FROST

Frosted area with fingerprint-free technology
 Special anti-corrosion Mirror treatment
 5mm Environmental Copper free silver Mirror



DF - Defogger

Electrical defogger heated pad system will help you remove the steam from the Mirror.



DM - Dimming

0-10V dimming available on all our mirrors.



TS - Touch Sensor

Innovative and attractive touch sensor with an LED night light.



MS- Motion Sensor

Placed on the side or bottom, simply wave your hands to turn on or off.



BT - Bluetooth (Audio)

Bluetooth speaker that will connect to your phone or tablet to play your favorite music.



M3 - Magnifying Mirror x3 / **M5** - Magnifying Mirror x5

3X or 5X magnifying mirror with an LED ring around.



LD - LED Digital Clock

Screen with an LED clock.



USB - USB Charger

Placed on the bottom or the side, 5V USB port available to charge any phone or tablet.



NL - Night Light

Night light available for top, bottom or both.



PO - Power Outlet

Power Outlet located at the bottom or the sides.



PP - Power Plug

Power Plug available on all Mirrors, and can be located in any desired location.