

### AVAILABLE OPTIONS

- Defogger
- Dimming 0-10V
- Touch Sensor
- Motion Sensor
- USB Charger
- Bluetooth (Audio)
- Magnifying Mirror X3 & X5
- LED Digital Clock
- Night Light
- Power Outlet
- Power Plug

\* See "Options" page for more information.

### LIGHTING SPECIFICATIONS

- Easy replaceable LEDs
- CCT: 3000 | 4000 | 6000
- 366 Lumens per foot\*  
\* Higher Lumen per foot available
- CRI: 80 +
- LED Life: Average 90,000 hrs.



Frosted area with  
Fingerprint-free technology



**Intertek**



Special anti-corrosion  
Mirror treatment



5mm Environmental  
Copper free silver Mirror

### FEATURES

- Soft closing hinges
- Frosted area with fingerprint-free technology
- Special anti-corrosion Mirror treatment
- Suitable for Damp Location
- 5mm Environmental Copper free silver Mirror
- Easy installation
- Custom Mirror dimensions available

### INSTALLATION



## ORDERING CODE

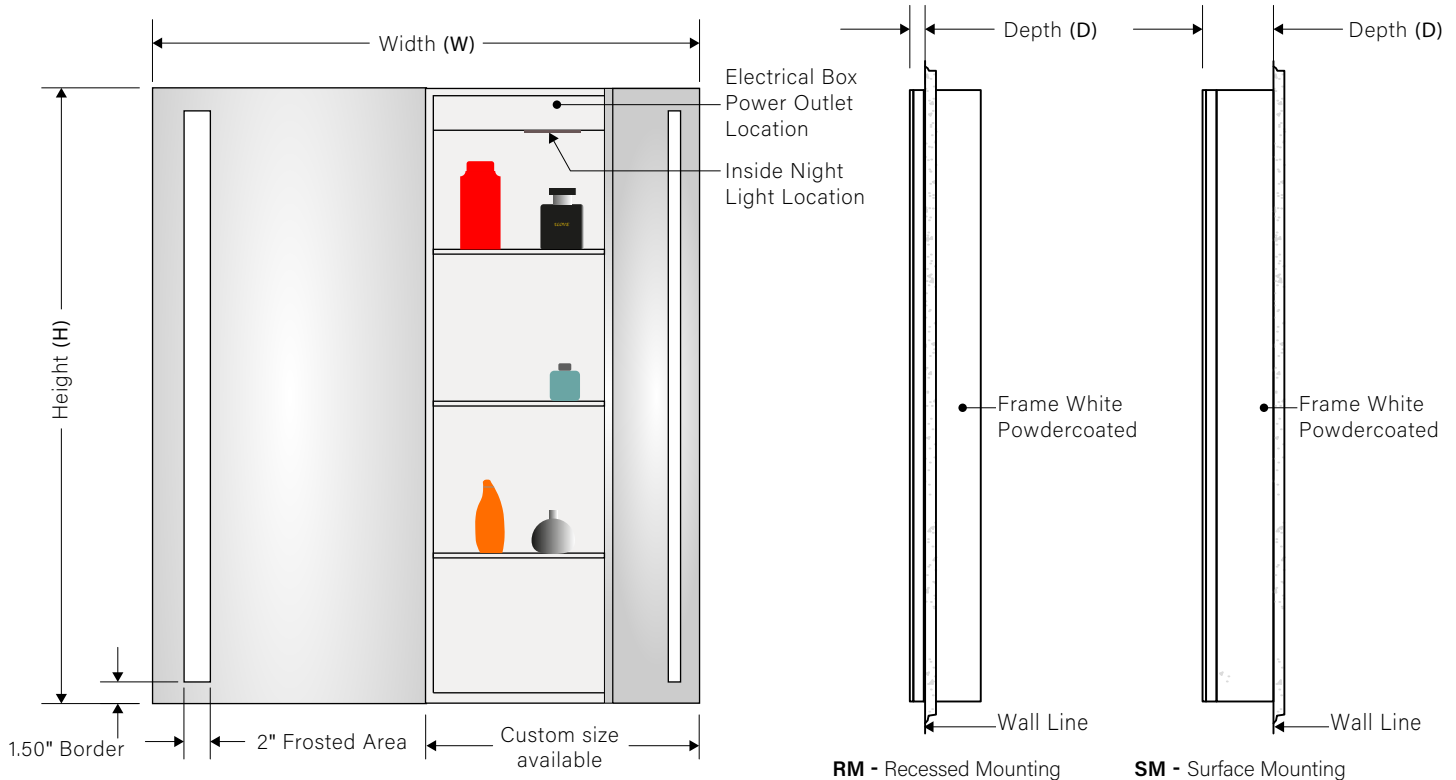
LM-1121-LED - \_\_\_\_\_ - \_\_\_\_\_ - \_\_\_\_\_ - \_\_\_\_\_ - \_\_\_\_\_ - \_\_\_\_\_

Product ID	Dimensions	Voltage	CCT	Diffuser	Mounting	Options
<b>LM-1121-LED</b>	<b>4030</b> - 40"W x 30"H	<b>120</b> - 120V	<b>30</b> - 3000k	<b>FR</b> - Frosted	<b>SM</b> - Surface Mounting	<b>DF</b> - Defogger
	<b>4830</b> - 48"W x 30"H	<b>277</b> - 277V	<b>40</b> - 4000k	<b>IF</b> - Ice Frost	<b>RM</b> - Recessed Mounting	<b>DM</b> - Dimming 0-10V
	<b>4836</b> - 48"W x 36"H		<b>60</b> - 6000k	<b>*C</b> - *Custom		<b>TS</b> - Touch Sensor
	<b>4840</b> - 48"W x 40"H			<b>*Consult factory</b>		<b>MS</b> - Motion Sensor
	<b>C</b> - Custom					<b>BT</b> - Bluetooth (Audio)
						<b>M3</b> - Magnifying Mirror x3
						<b>M5</b> - Magnifying Mirror x5
						<b>LD</b> - LED Digital Clock
						<b>USB</b> - USB Charger
						<b>TNL</b> - Top Night Light
						<b>BNL</b> - Bottom Night Light
						<b>INL</b> - Inside Night Light
						<b>PO</b> - Power Outlet
						<b>PP</b> - Power Plug

## LIGHTING SPECIFICATIONS

Standard Product: Hardwired

Dimensions Recessed	Dimensions Recessed	Wattage	Lumen Output	CRI
40"W x 30"H x .75"D	40"W x 30"H x 5"D	17 Watt	1685 Total Lumen Output	80+ CRI
48"W x 30"H x .75"D	48"W x 30"H x 5"D	17 Watt	1685 Total Lumen Output	80+ CRI
48"W x 36"H x .75"D	48"W x 36"H x 5"D	21 Watt	2051 Total Lumen Output	80+ CRI
48"W x 40"H x .75"D	48"W x 40"H x 5"D	23 Watt	2294 Total Lumen Output	80+ CRI

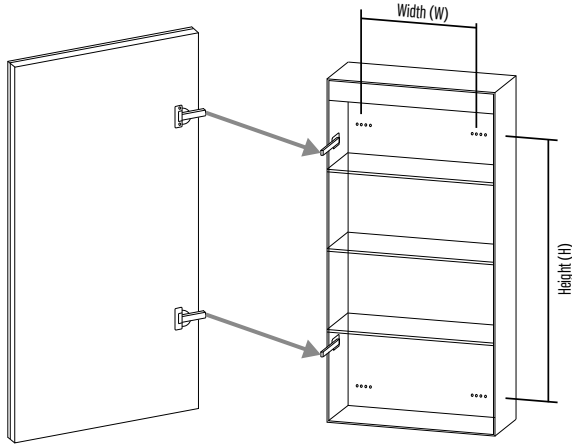


\* Not to Scale. Frosted area and border width may change depending on Mirror dimensions.

APPROVED BY: \_\_\_\_\_ SIGNATURE: \_\_\_\_\_ DATE: \_\_\_\_\_

## MOUNTING

### SM - Surface Mounting



Back View Mirror

Front View Frame

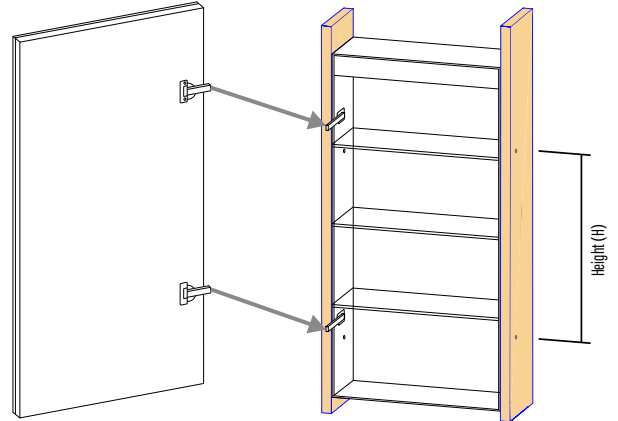
**Mirror Dimensions**

**Mounting Dimensions**

40"W x 30"H x 5"D
48"W x 30"H x 5"D
48"W x 36"H x 5"D
48"W x 40"H x 5"D

W = 35.30"	H = 20.60"
W = 43.30"	H = 20.60"
W = 43.30"	H = 26.60"
W = 43.30"	H = 30.60"

### RM - Recessed Mounting



Back View Mirror

**Mirror Dimensions**

**Mounting Dimensions**

40"W x 30"H x .75"D
48"W x 30"H x .75"D
48"W x 36"H x .75"D
48"W x 40"H x .75"D

H = 17.40"
H = 17.40"
H = 23.40"
H = 27.40"

## DIFFUSER



FROSTED



ICE FROST

Frosted area with fingerprint-free technology  
 Special anti-corrosion Mirror treatment  
 5mm Environmental Copper free silver Mirror



### **DF** - Defogger

Electrical defogger heated pad system will help you remove the steam from the Mirror.



### **DM** - Dimming

0-10V dimming available on all our mirrors.



### **TS** - Touch Sensor

Innovative and attractive touch sensor with an LED night light.



### **MS**- Motion Sensor

Placed on the side or bottom, simply wave your hands to turn on or off.



### **BT** - Bluetooth (Audio)

Bluetooth speaker that will connect to your phone or tablet to play your favorite music.



### **M3** - Magnifying Mirror x3 / **M5** - Magnifying Mirror x5

3X or 5X magnifying mirror with an LED ring around.



### **LD** - LED Digital Clock

Screen with an LED clock.



### **USB** - USB Charger

Placed on the bottom or the side, 5V USB port available to charge any phone or tablet.



### **NL** - Night Light

Night light available for top, bottom, inside or all together.



### **PO** - Power Outlet

Power Outlet located at the bottom or the sides.



### **PP** - Power Plug

Power Plug available on all Mirrors, and can be located in any desired location.