

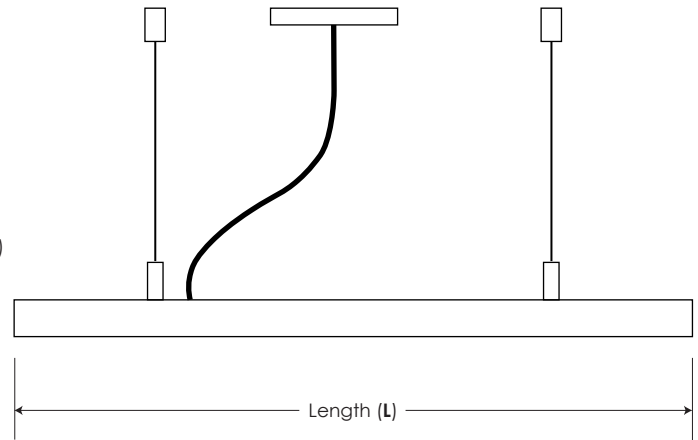
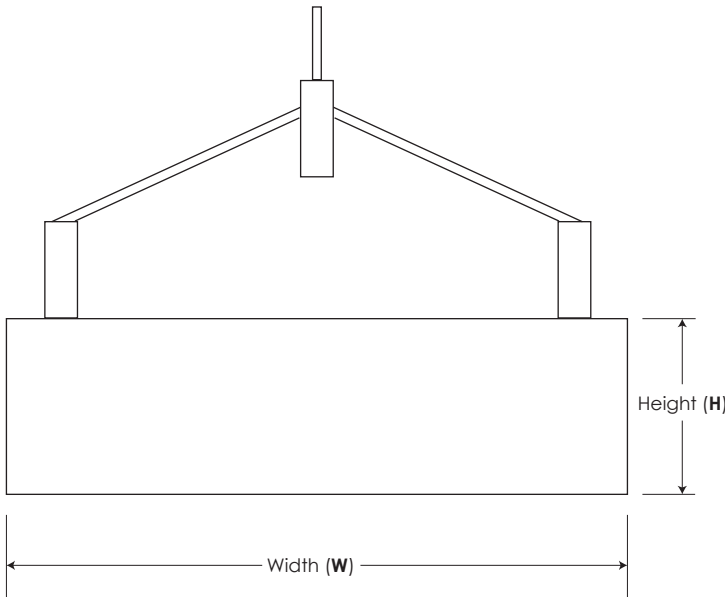
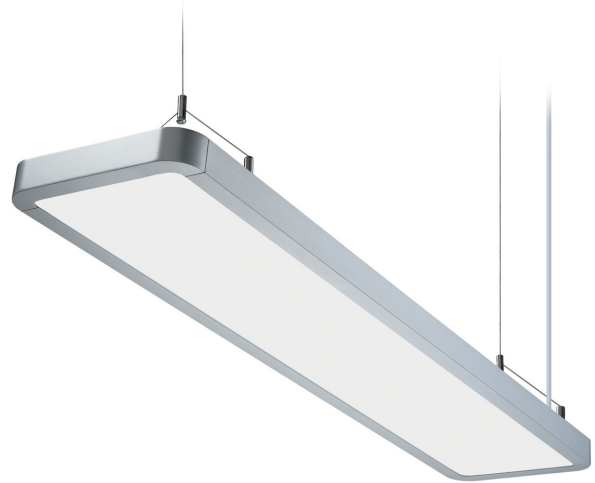
### ORDERING CODE

PAD9

Product ID	Length	Voltage	CCT	Mounting	Finish	Option
PAD9 - Pad9 LED	3 - 3FT	120 - 120V	30 - 3000k	AC - Drywall + Aircraft cable (36" std)	W - White	D10 - 0-10V Dimmable
	4 - 4FT	277 - 277V	40 - 4000k	ACT- T-Bar + Aircraft cable (36" std)	B - Black	DA - Dali Dimmable
	5 - 5FT		60 - 6000k	SUR- Surface Mounted	S - Anodized C - Custom	

### LIGHTING SPECIFICATIONS

Dimensions	Wattage	Lumen Output
3' x 8.63" W x 1.62"H	32 Watt	3500 Nominal Lumen Output
4' x 8.63" W x 1.62"H	43 Watt	4700 Nominal Lumen Output
5' x 8.63" W x 1.62"H	54 Watt	5700 Nominal Lumen Output



\* Not to Scale.

APPROVED BY: \_\_\_\_\_

SIGNATURE: \_\_\_\_\_

DATE: \_\_\_\_\_