

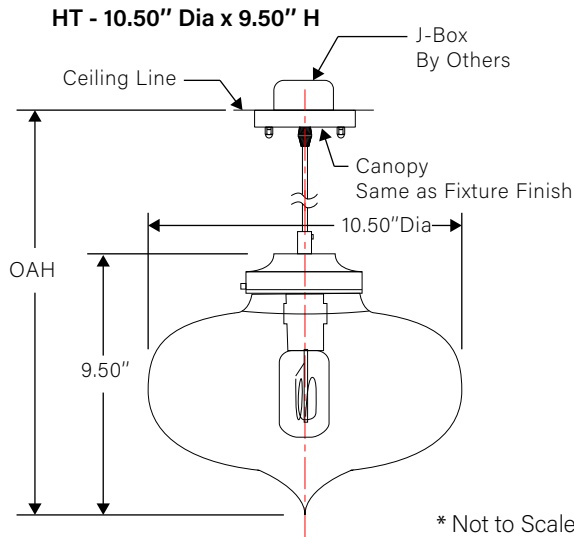
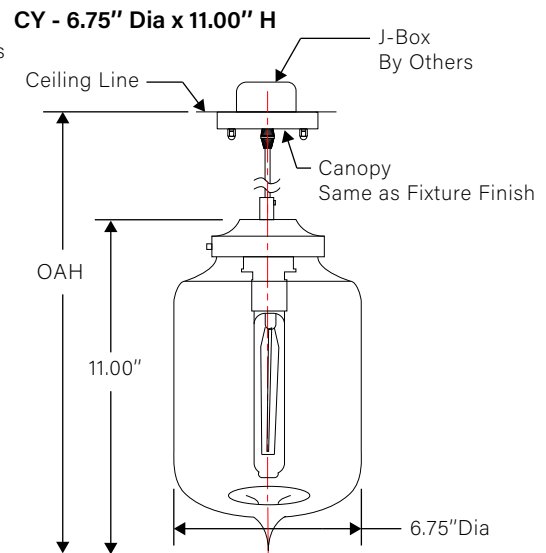
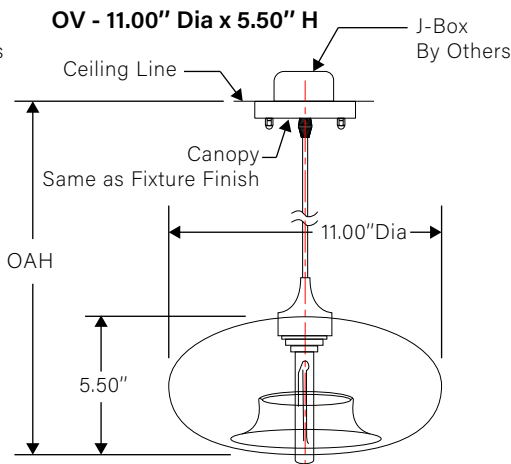
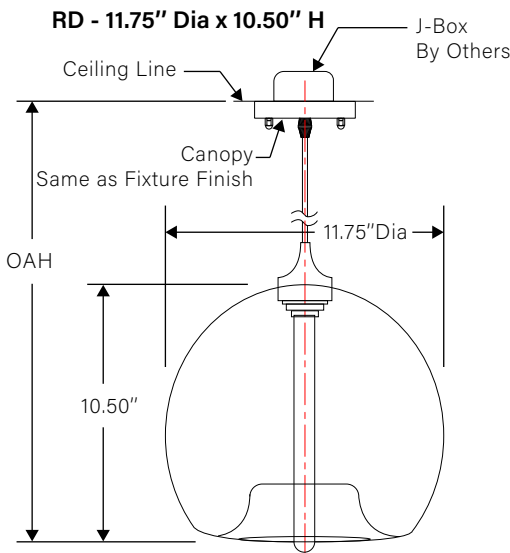
ORDERING CODE

PT-1016

Product ID	Dimension	Voltage	OAH	Hardware Finish	Glass Finish
PT-1016	RD - 11.75"Dia x 10.50"H	120 - 120V	36 - 36" OAH	MB - Matt Black Painted	TR - Translucent Red
	OV - 11.00"Dia x 5.50"H	277 - 277V	48 - 48" OAH	GW - Glossy White Painted	TY - Translucent Yellow
	HT - 10.50"Dia x 9.50"H		60 - 60" OAH	MW - Matt White Painted	TB - Translucent Blue
	CY - 6.75"Dia x 11.00"H			SG - Space Grey Painted	TG - Translucent Grey
	C - Custom *			C - Custom*	C - Custom*
	*Consult factory, Minimum Quantity Required			*Consult factory, Plated finish available upon request	*Consult factory, Plated finish available upon request

LIGHTING SPECIFICATIONS

1 x E26 Medium Base Socket,
Light Bulb Not Included



APPROVED BY: _____

SIGNATURE: _____

DATE: _____