

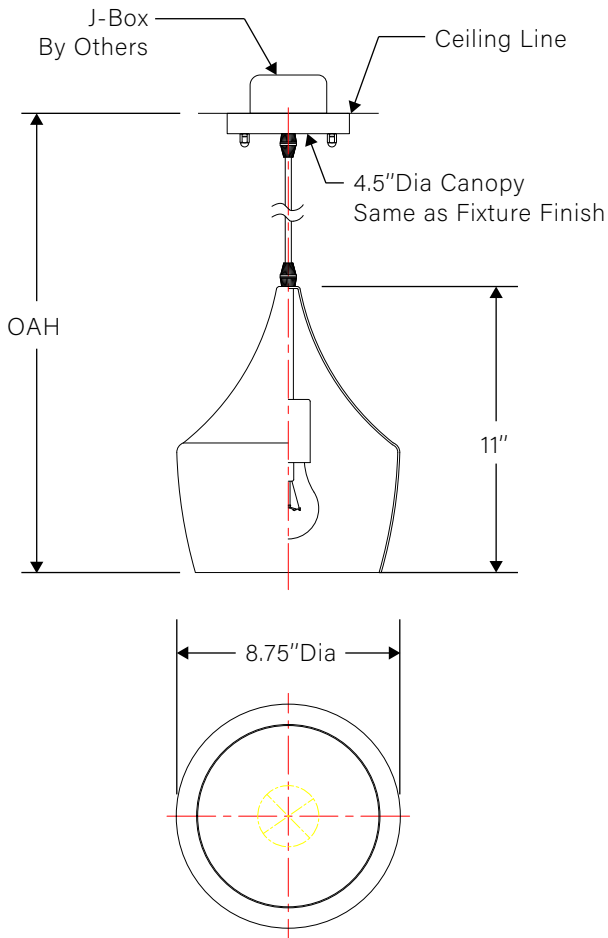
ORDERING CODE

PT-1034 - - - - -

Product ID	Dimension	Voltage	OAH	Outside Finish	Inside Finish
PT-1034	OS - 8.75"Dia x 11"H C - Custom * *Consult factory, Minimum Quantity Required	120 - 120V 277 - 277V	36 - 36" OAH 48 - 48" OAH 60 - 60" OAH C - Custom* *Consult factory	MB - Matt Black Painted GW - Glossy White Painted MW - Matt White Painted SG - Space Grey Painted C - Custom* *Consult factory, Plated finish available upon request	MB - Matt Black Painted GW - Glossy White Painted MW - Matt White Painted SG - Space Grey Painted C - Custom* *Consult factory, Plated finish available upon request

LIGHTING SPECIFICATIONS

1 x E26 Medium Base Socket,
Light Bulb Not Included



* Not to Scale.

APPROVED BY: _____

SIGNATURE: _____

DATE: _____