

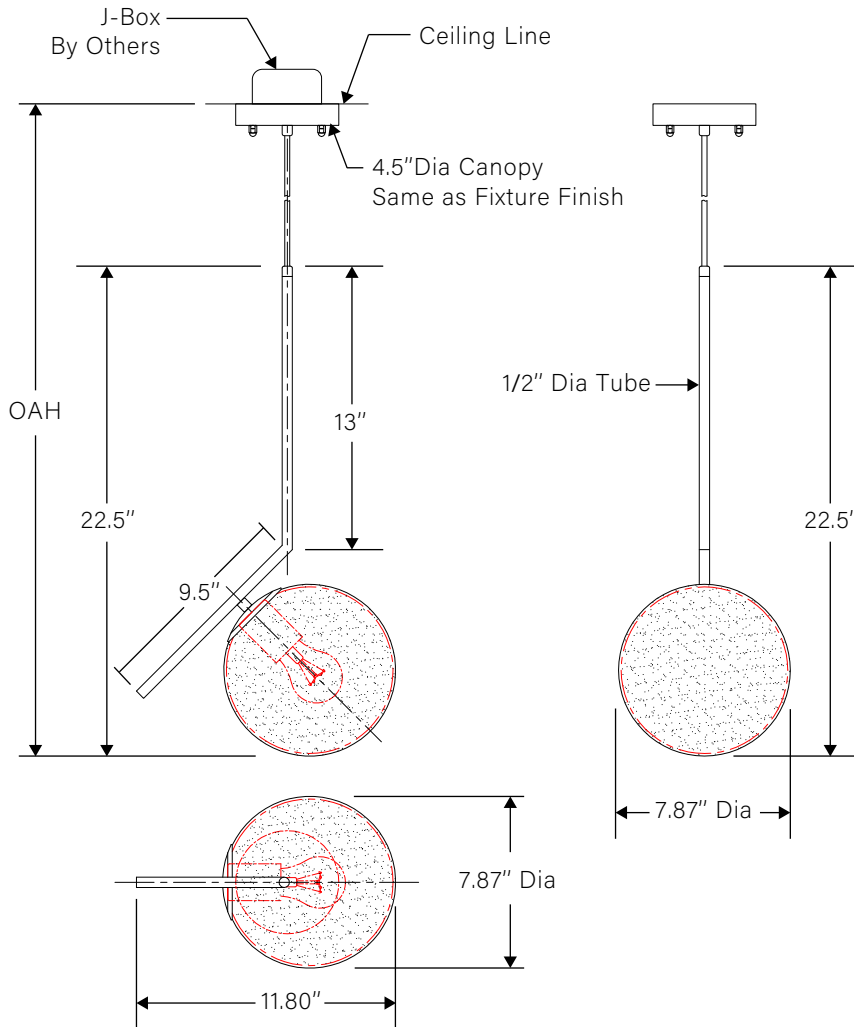
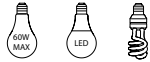
## ORDERING CODE

PT-1073 - \_\_\_\_\_ - \_\_\_\_\_ - \_\_\_\_\_ - \_\_\_\_\_ - \_\_\_\_\_

Product ID	Dimension	Voltage	OAH	Finish	Glass Finish
<b>PT-1073</b>	<b>OS</b> - 7.87" D x 11.80" W x 22.5" H <b>C</b> - Custom * <small>*Consult factory, Minimum Quantity Required</small>	<b>120</b> - 120V <b>277</b> - 277V	<b>36</b> - 36" OAH <b>48</b> - 48" OAH <b>60</b> - 60" OAH <b>C</b> - Custom* <small>*Consult factory</small>	<b>BR</b> - Brass Finish <b>CP</b> - Copper Finish <b>BLK</b> - Black Painted <b>C</b> - Custom* <small>*Consult factory</small>	<b>WG</b> - White Frosted Glass <b>SG</b> - Smoke Grey Glass <b>CG</b> - Clear Glass <b>C</b> - Custom* <small>*Consult factory</small>

## LIGHTING SPECIFICATIONS

1 x E26 Medium Base Socket,  
Light Bulb Not Included



\* Not to Scale.



APPROVED BY: \_\_\_\_\_

SIGNATURE: \_\_\_\_\_

DATE: \_\_\_\_\_