

ORDERING CODE

PT-1079 - - - - -

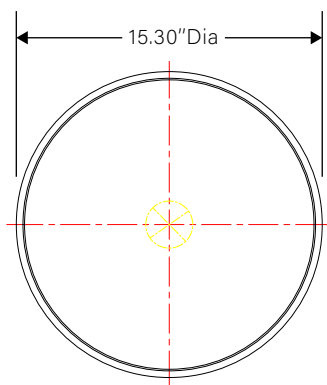
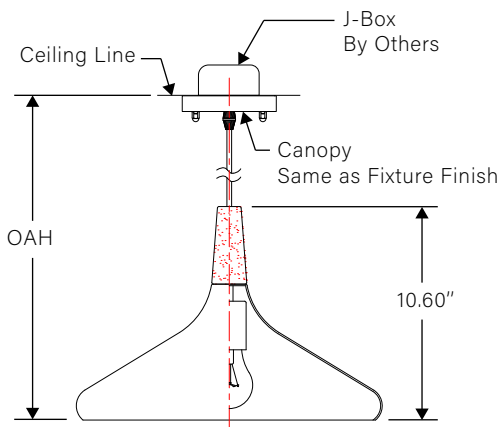
Product ID	Dimension	Voltage	OAH	Outside Finish	Inside Finish
PT-1079	SS - 7" Dia x 10.60"H	120 - 120V	36 - 36" OAH	CO - Copper Plated	CO - Copper Plated
	MS - 10.60"Dia x 10.60"H	277 - 277V	48 - 48" OAH	CH - Chrome Plated	CH - Chrome Plated
	LS - 15.30"Dia x 10.60"H		60 - 60" OAH	MB - Matt Black Painted	MB - Matt Black Painted
	C - Custom*			GW - Glossy White Painted	GW - Glossy White Painted
	Consult factory, Minimum Quantity Required			C - Custom *Consult factory	C - Custom* *Consult factory

LIGHTING SPECIFICATIONS

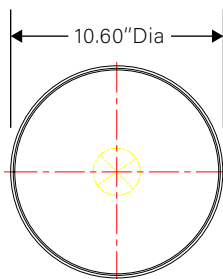
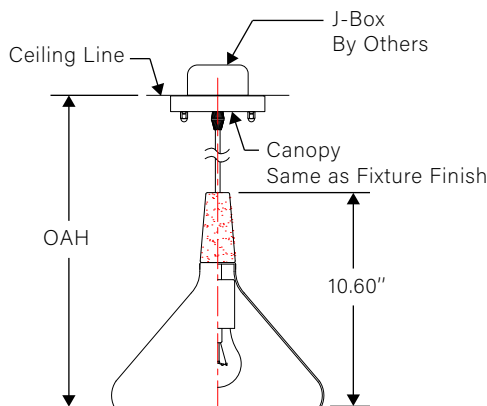
1 x E26 Medium Base Socket,
Light Bulb Not Included



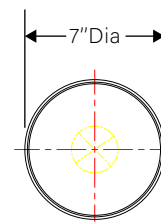
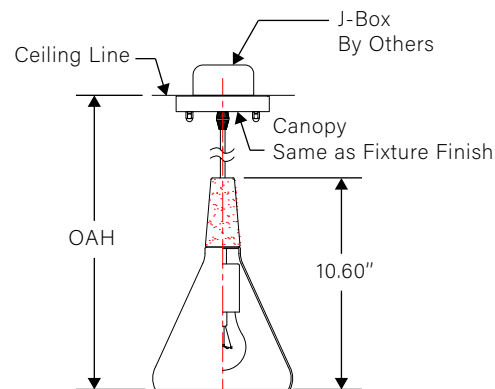
LS - 15.30" Dia x 10.60" H



MS - 10.60" Dia x 10.60" H



SS - 7" Dia x 10.60" H



* Not to Scale.

APPROVED BY: _____

SIGNATURE: _____

DATE: _____