

ORDERING CODE

PT-1085 - - - - -

Product ID	Dimension	Voltage	OAH	Outside Finish	Inside Finish
PT-1085	SS - 10.50"Dia x 7.13"H LS - 22"Dia x 12.25"H C - Custom* <small>*Consult factory, Minimum Quantity Required</small>	120 - 120V 277 - 277V	36 - 36" OAH 48 - 48" OAH 60 - 60" OAH C - Custom* <small>*Consult factory</small>	MB - Matt Black Painted GW - Glossy White Painted MW - Matt White Painted SG - Space Grey Painted C - Custom* <small>*Consult factory, Plated finish available upon request</small>	MB - Matt Black Painted GW - Glossy White Painted MW - Matt White Painted SG - Space Grey Painted C - Custom* <small>*Consult factory, Plated finish available upon request</small>

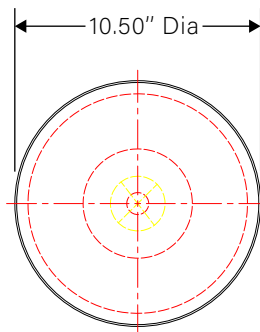
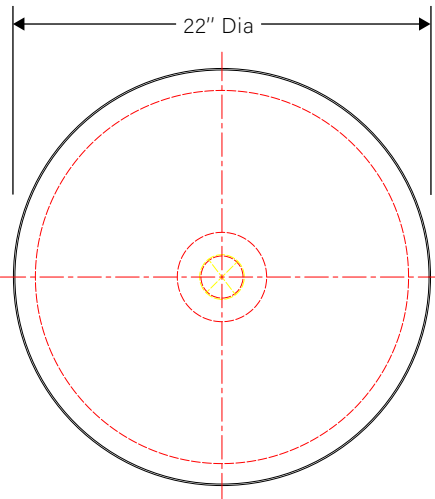
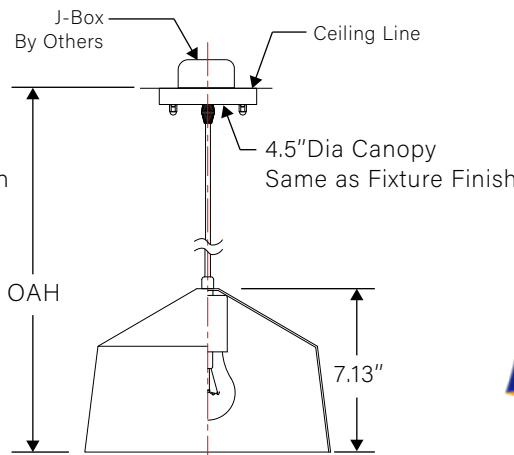
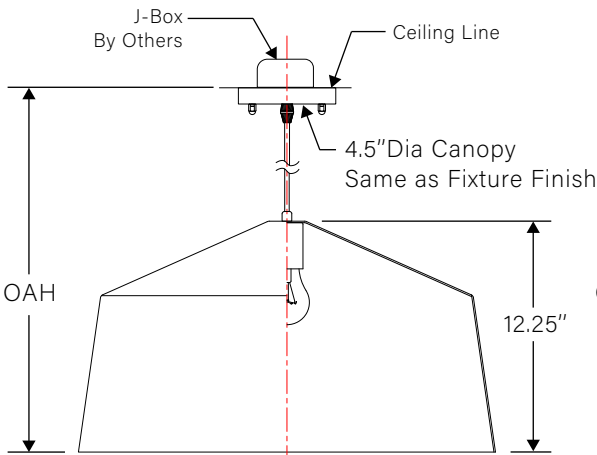
LIGHTING SPECIFICATIONS

1 x E26 Medium Base Socket,
Light Bulb Not Included



LS - 22" Dia x 12.25" H

SS - 10.50" Dia x 7.13" H



* Not to Scale.

APPROVED BY: _____

SIGNATURE: _____

DATE: _____