

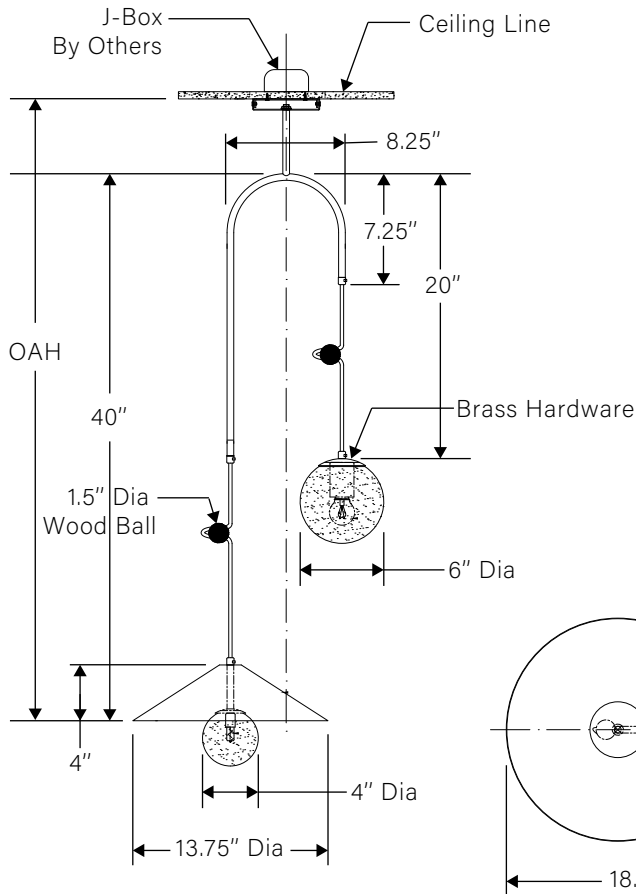
ORDERING CODE

PT-1088 - - - - -

Product ID	Dimension	Voltage	OAH	Finish	Power Cord Finish
PT-1088	OS - 18.75" W x 40" H C - Custom * *Consult factory, Minimum Quantity Required	120 - 120V 277 - 277V	36 - 36" OAH 48 - 48" OAH 60 - 60" OAH C - Custom* *Consult factory	NB - Navy Blue Painted MW - Matt White Painted MB - Matt Black Painted SG - Space Grey Painted C - Custom* *Consult factory,	WH - White Power Cord BLK - Black Power Cord C - Custom* *Consult factory,

LIGHTING SPECIFICATIONS

- 1 x E26 Medium Base Socket,
- 1 x G9 Halogen Base Socket
- Light Bulbs Not Included



* Not to Scale.

APPROVED BY: _____

SIGNATURE: _____

DATE: _____