

ORDERING CODE

VOKAL - - - - -

| Product ID | Length | Height | Voltage | CCT | Mounting | Finish | Option |
|-------------------|--------------------|--------------|----------------|------------|---------------------------|-----------------|--------------------|
| VOKAL - Vokal LED | 2 - 2FT | 7 - 7.50in | 120 - 120V | 27 - 2700k | AC36 - Aircraft cable 36" | MW - Matt White | D - 0-10V Dimmable |
| | 3 - 3FT | 11 - 11.50in | 277 - 277V | 30 - 3000k | AC48 - Aircraft cable 48" | MB - Matt Black | UP - Up Light |
| | 4 - 4FT | 15 - 15.50in | UN - Universal | 40 - 4000k | AC60 - Aircraft cable 60" | SL - Silver | |
| | 5 - 5FT | | | 50 - 5000k | C - Custom | C - Custom | |
| | 6 - 6FT | | | | | | |
| | 8 - 8FT | | | | | | |
| | C - Continuous Run | | | | | | |

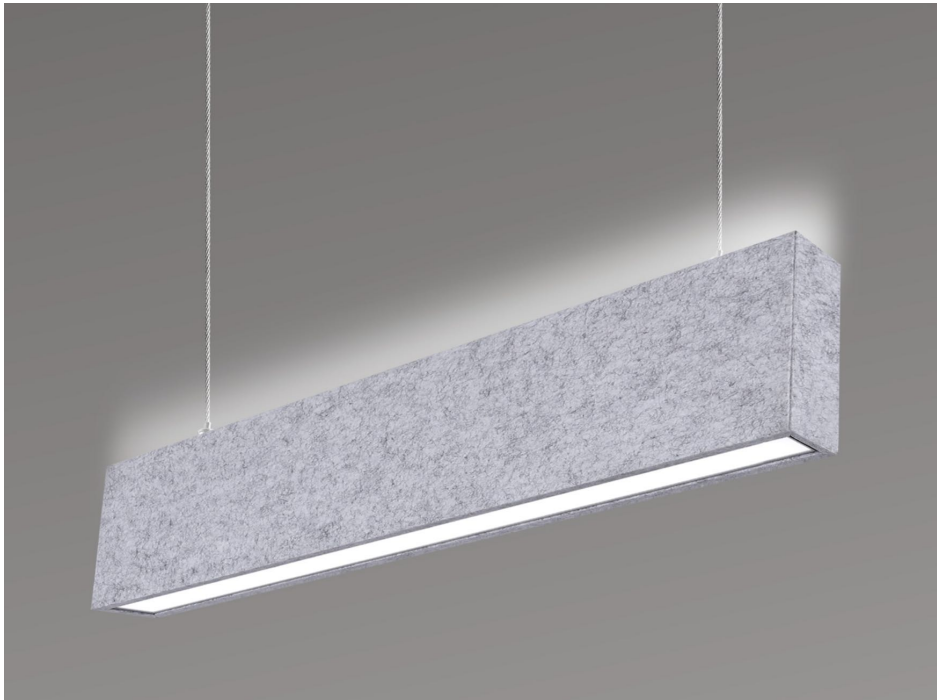
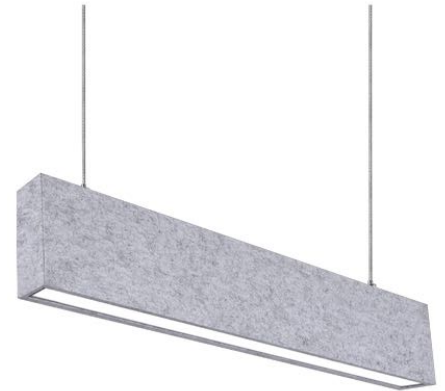
* Leave blank if the acoustic felt is not required.

Acoustic Material * (see page 2)

| | | | | | | | | |
|-------|-------|-------|-------|-------|-------|-------|-------|-------|
| AC001 | AC005 | AC009 | AC014 | AC019 | AC024 | AC031 | AC036 | AC042 |
| AC002 | AC006 | AC011 | AC016 | AC020 | AC025 | AC033 | AC038 | AC043 |
| AC003 | AC007 | AC012 | AC017 | AC021 | AC028 | AC034 | AC039 | AC044 |
| AC004 | AC008 | AC013 | AC018 | AC022 | AC029 | AC035 | AC040 | |

LIGHTING SPECIFICATIONS

| Dimensions | Direct Info | Direct/Indirect Info |
|--|----------------------------|------------------------------|
| 2.12" W x 23.50" L x 7.50" H 11.50" H 15.50" H | 18 Watt - 1890 Total Lumen | 25 Watt - 2625 Total Lumen |
| 2.12" W x 35.50" L x 7.50" H 11.50" H 15.50" H | 27 Watt - 2835 Total Lumen | 40 Watt - 4200 Total Lumen |
| 2.12" W x 47.25" L x 7.50" H 11.50" H 15.50" H | 36 Watt - 3780 Total Lumen | 50 Watt - 5250 Total Lumen |
| 2.12" W x 59.00" L x 7.50" H 11.50" H 15.50" H | 45 Watt - 4725 Total Lumen | 65 Watt - 6825 Total Lumen |
| 2.12" W x 70.81" L x 7.50" H 11.50" H 15.50" H | 54 Watt - 5670 Total Lumen | 80 Watt - 8400 Total Lumen |
| 2.12" W x 94.50" L x 7.50" H 11.50" H 15.50" H | 63 Watt - 6615 Total Lumen | 100 Watt - 10500 Total Lumen |

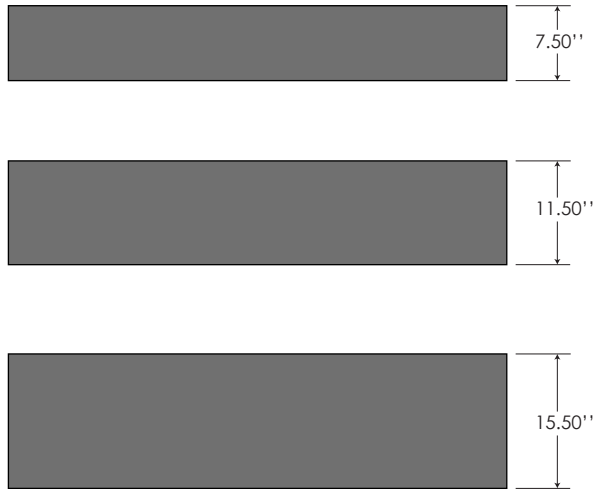
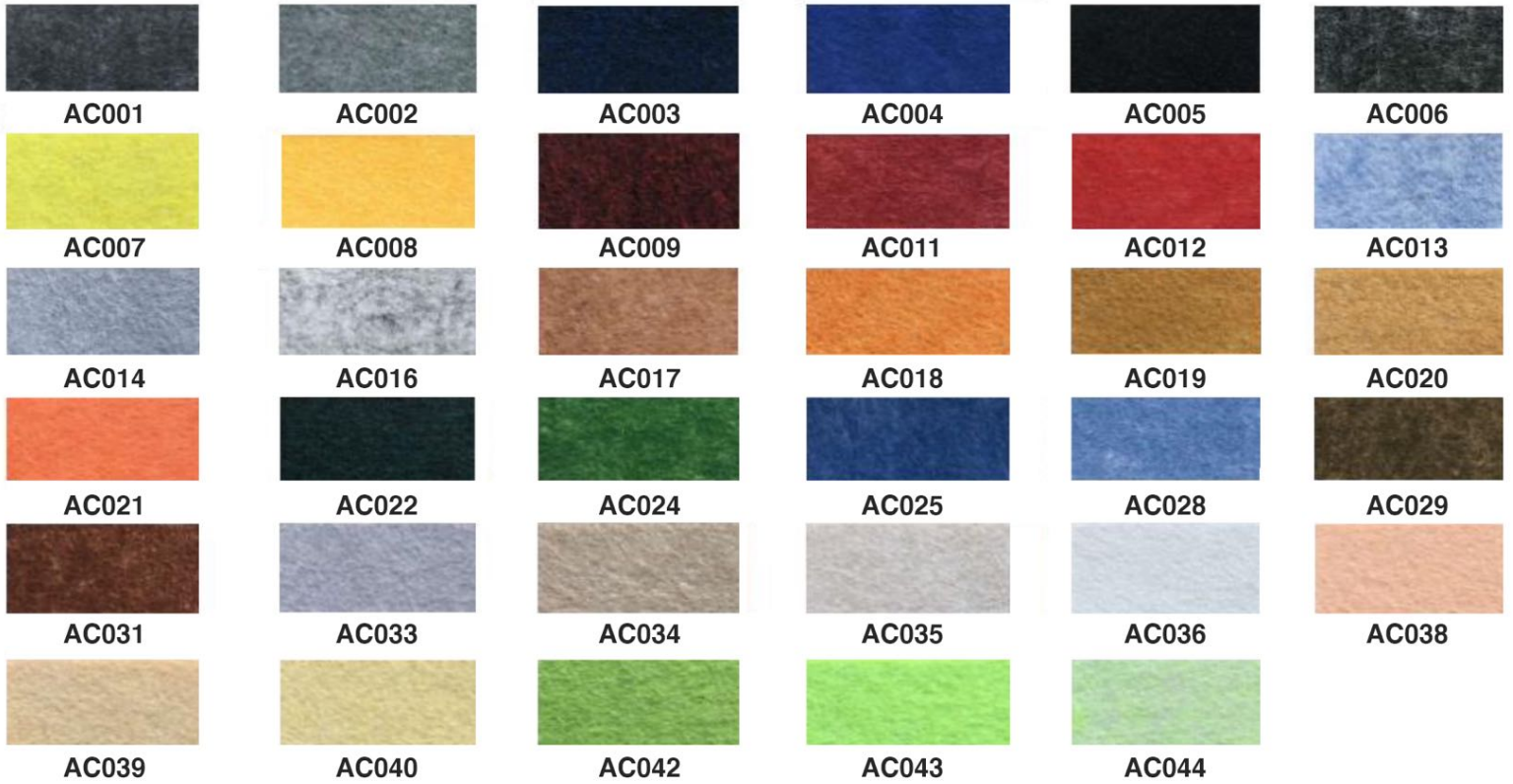


APPROVED BY: _____

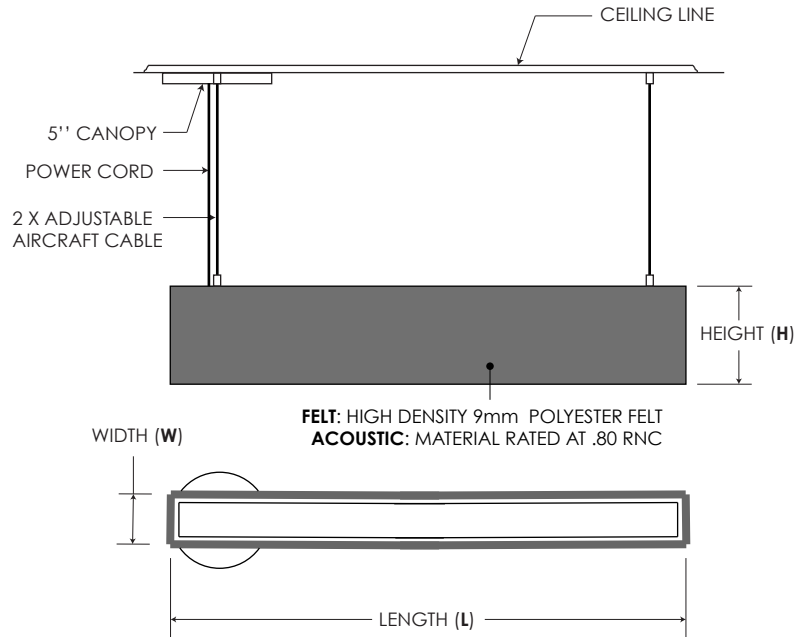
SIGNATURE: _____

DATE: _____

ACOUSTIC MATERIAL



* Not to Scale.



APPROVED BY: _____

SIGNATURE: _____

DATE: _____