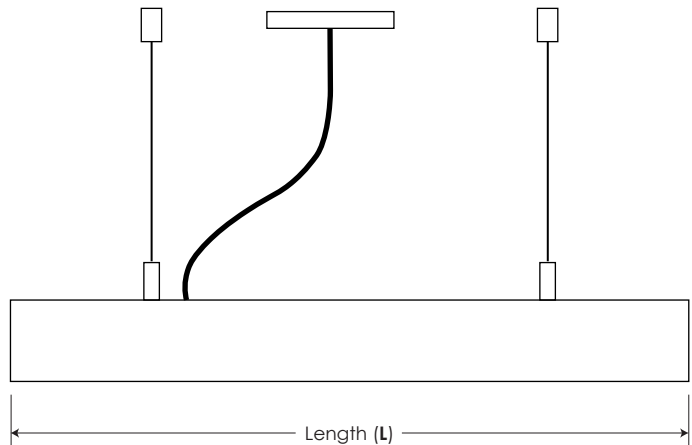
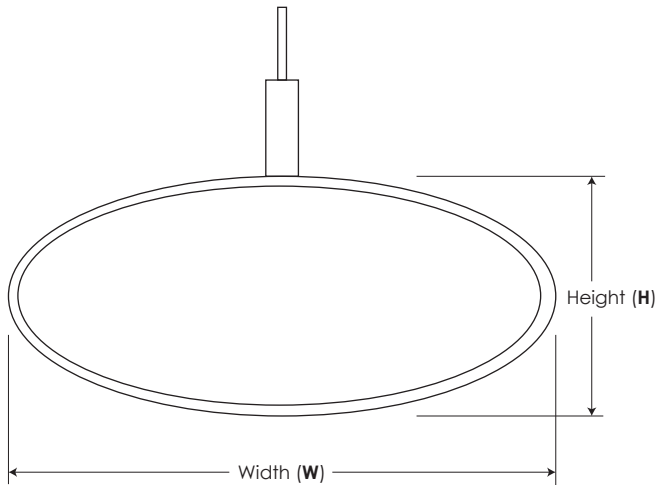


ORDERING CODE

Product ID	Length	Voltage	CCT	Mounting	Finish	Option
DRIVE - Drive LED	3 - 3FT 4 - 4FT 5 - 5FT	120 - 120V 277 - 277V	30 - 3000k 40 - 4000k 60 - 6000k	AC - Drywall + Aircraft cable (36" std) ACT - T-Bar + Aircraft cable (36" std) SUR - Surface Mounted	W - White B - Black S - Anodized C - Custom	D10 - 0-10V Dimmable DA - Dali Dimmable

LIGHTING SPECIFICATIONS

Dimensions	Wattage	Lumen Output
3' x 5.90" W x 2.50"H	22 Watt	2300 Nominal Lumen Output
4' x 5.90" W x 2.50"H	30 Watt	3200 Nominal Lumen Output
5' x 5.90" W x 2.50"H	40 Watt	3900 Nominal Lumen Output



* Not to Scale.

APPROVED BY: _____

SIGNATURE: _____

DATE: _____