

ORDERING CODE

PT-1074 - - - - -

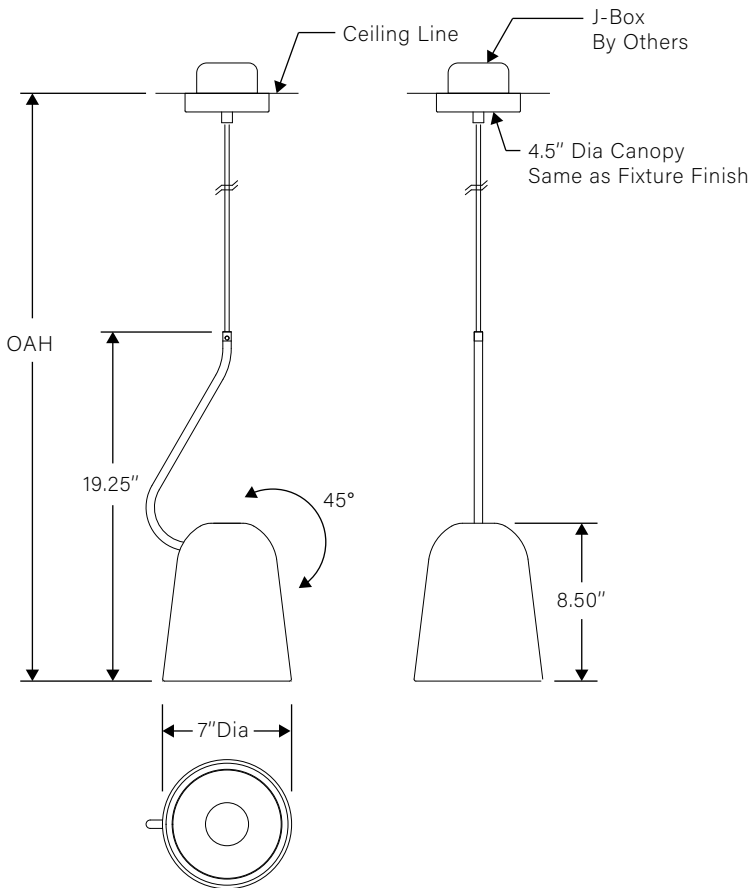
Product ID	Dimension	Voltage	OAH	Outside Finish	Inside Finish
PT-1074	SS - 4.75"Dia x 5.50"H	120 - 120V	36 - 36" OAH	CO - Copper Plated	CO - Copper Plated
	LS - 7"Dia x 8.50"H	277 - 277V	48 - 48" OAH	CH - Chrome Plated	CH - Chrome Plated
	C - Custom *		60 - 60" OAH	MB - Matt Black Painted	MB - Matt Black Painted
	*Consult factory, Minimum Quantity Required			GW - Glossy White Painted	GW - Glossy White Painted
				C - Custom*	C - Custom*
				*Consult factory	*Consult factory

LIGHTING SPECIFICATIONS

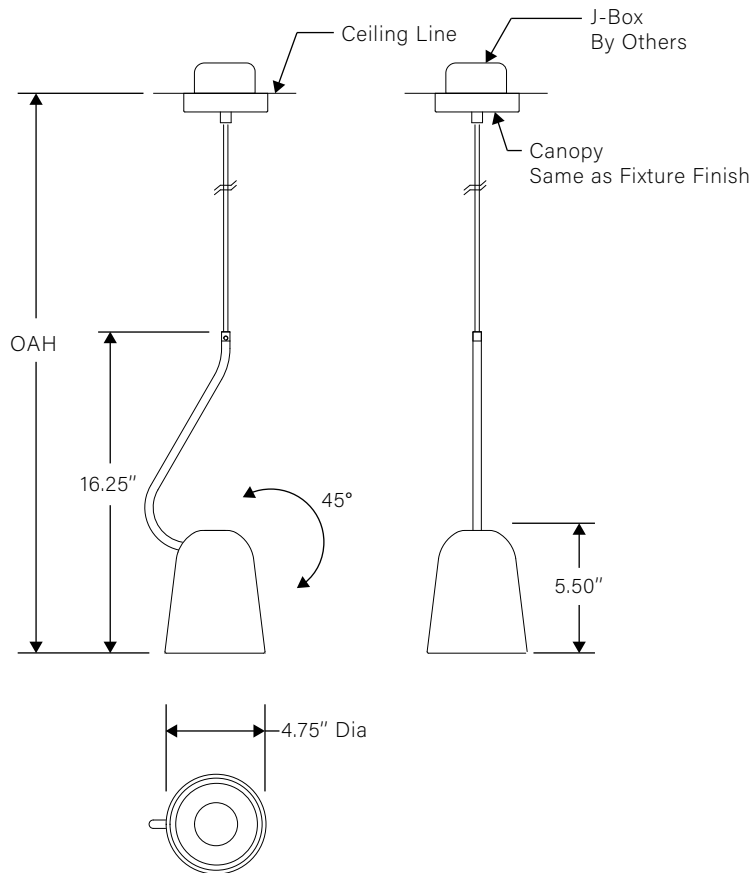
1 x GU10 Base Halogen Socket,
Light Bulb Not Included



LS - 7" Dia x 8.50" H



SS - 4.75" Dia x 5.50" H



* Not to Scale.

APPROVED BY: _____

SIGNATURE: _____

DATE: _____