

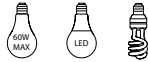
ORDERING CODE

PT-1081 - - - - -

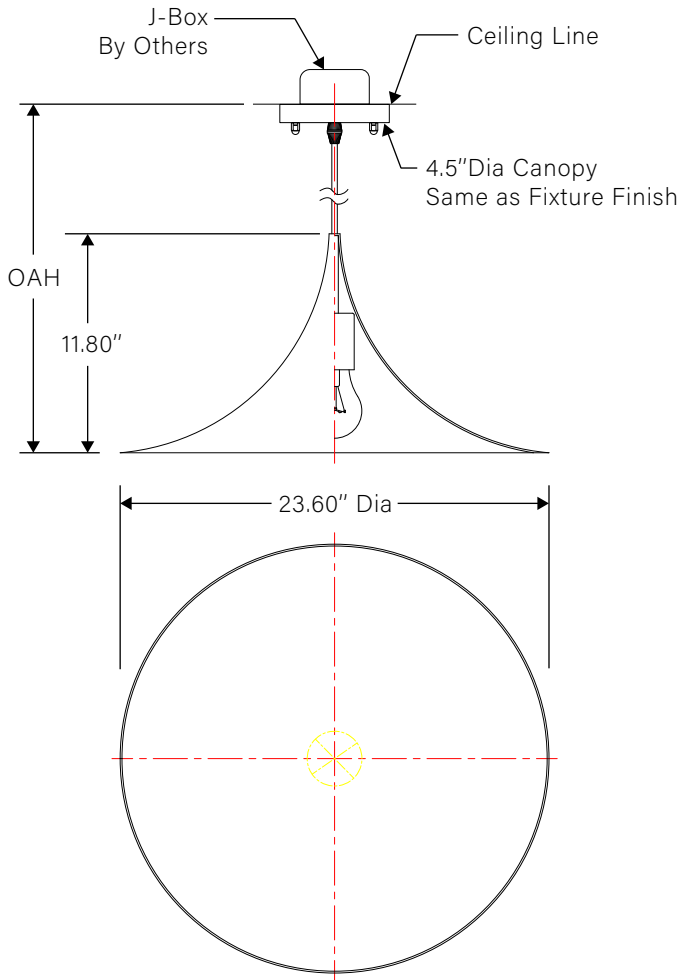
Product ID	Dimension	Voltage	OAH	Outside Finish	Inside Finish
PT-1081	SS - 18.50"Dia x 9.50"H LS - 23.60"Dia x 11.80"H C - Custom* <small>*Consult factory, Minimum Quantity Required</small>	120 - 120V 277 - 277V	36 - 36" OAH 48 - 48" OAH 60 - 60" OAH C - Custom* <small>*Consult factory</small>	MB - Matt Black Painted GW - Glossy White Painted MW - Matt White Painted SG - Space Grey Painted C - Custom* <small>*Consult factory, Plated finish available upon request</small>	MB - Matt Black Painted GW - Glossy White Painted MW - Matt White Painted SG - Space Grey Painted C - Custom* <small>*Consult factory, Plated finish available upon request</small>

LIGHTING SPECIFICATIONS

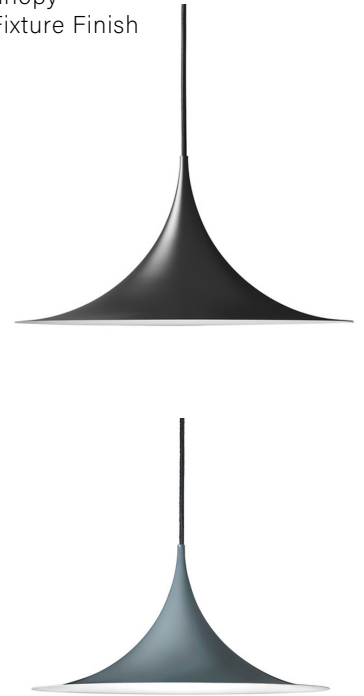
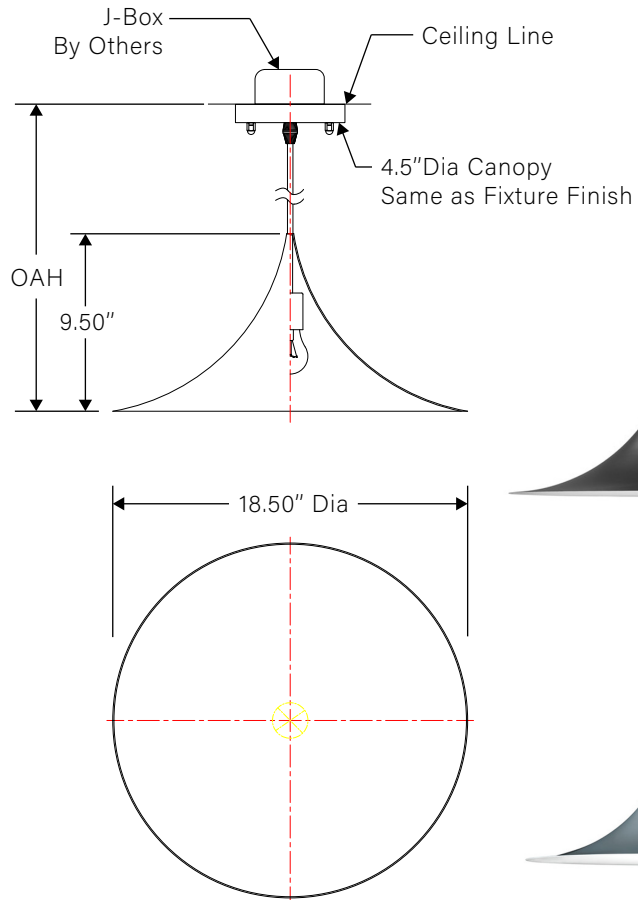
1 x E26 Medium Base Socket,
Light Bulb Not Included



LS - 23.60" Dia x 11.80" H



SS - 18.50" Dia x 9.50" H



* Not to Scale.

APPROVED BY: _____

SIGNATURE: _____

DATE: _____